

THIS DRAWING IS UNPUBLISHED
VERTRÄULICHE UNVERÖFFENTLICHE ZEICHNUNG

RELEASE FOR PUBLIKATION
FREI FUER VERÖFFENTLICHUNG

MATED WITH:
PASSEND ZU:

LOC
AI

DIST
-

REVISIONS
ÄNDERUNGEN

© COPYRIGHT 2000

BY AMP INCORPORATED

ALL RIGHTS RESERVED
ALLE RECHTE VORBEHALTEN

BG2

P

LTR

DESCRIPTION
BESCHREIBUNG

DATE

DWN

APVD

PROJEKT NR.
EGGMA05416

B1

RELEASED AS PER ECR-06-006469

3/16/2006

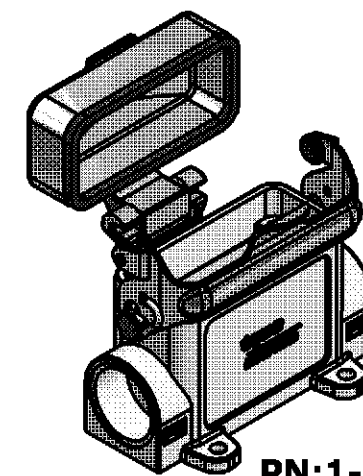
SK

ST

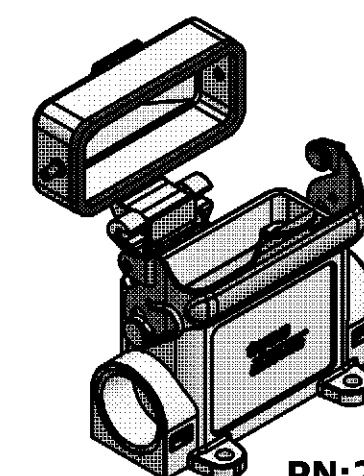
NOTES

- 1 PACKAGING QUANTITY: 5 PIECES PER BOX
- 2 MATERIAL: HOUSING: ALUMINIUM DIECASTING ALLOY
- 3 SURFACE: VARNISH-GREY
- 4 VARNISH ON THE INSIDE NOT NECESSARY

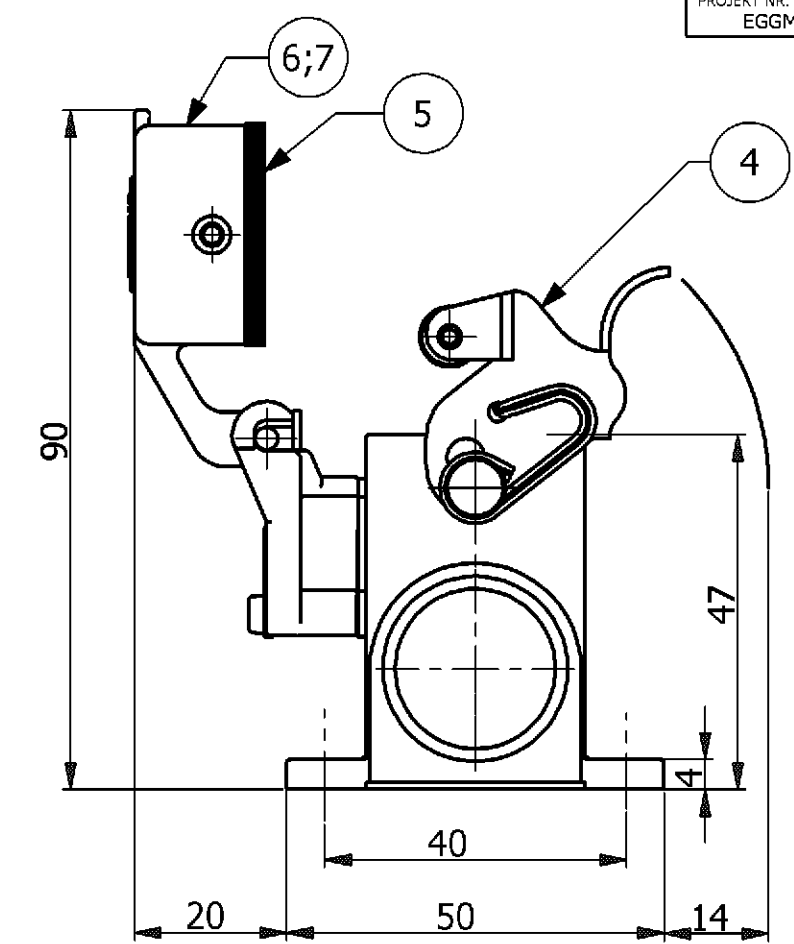
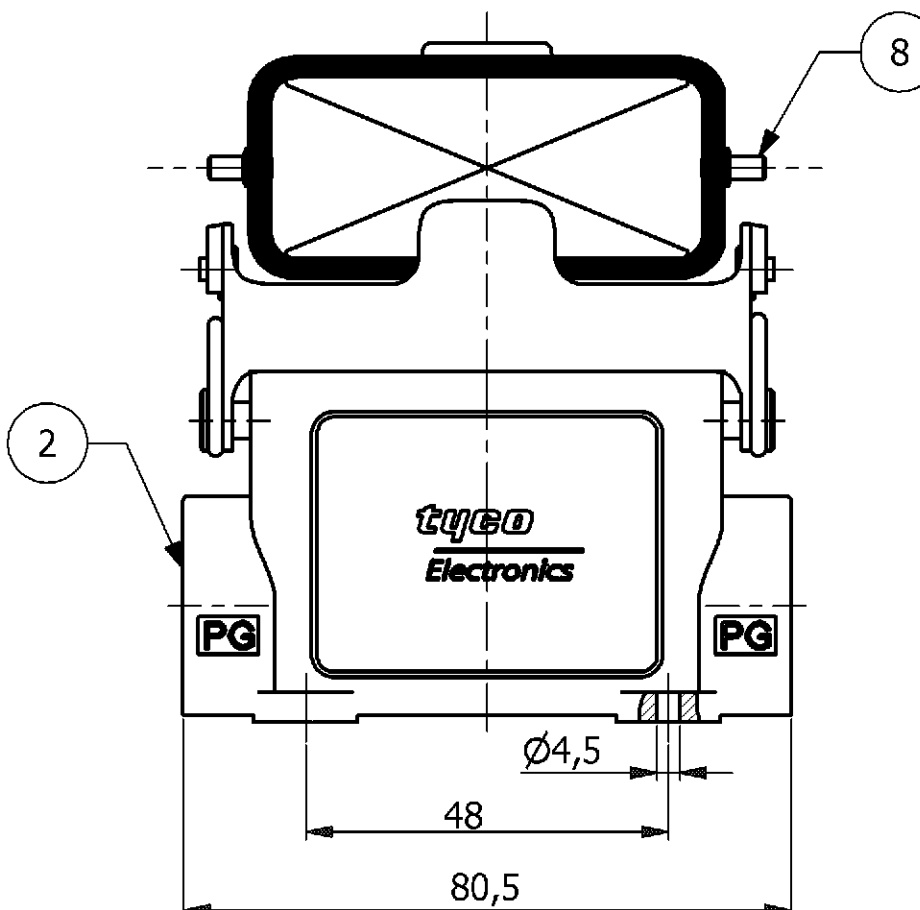
(1:2)



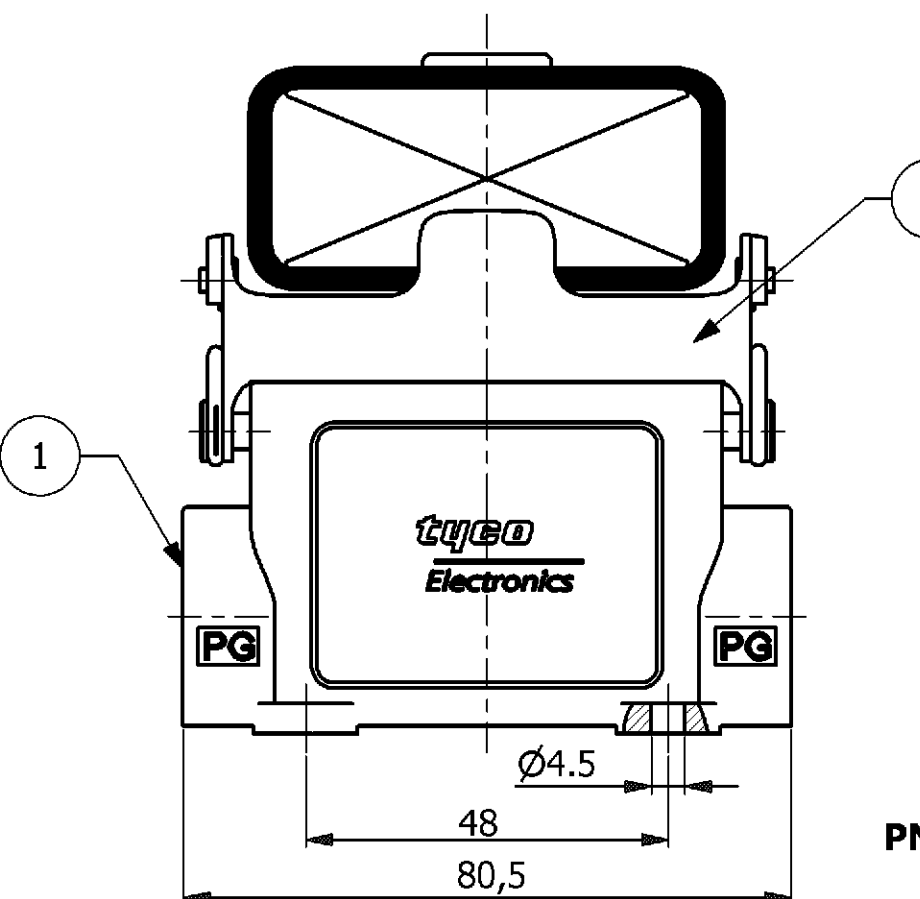
PN:1-2
Ordering Text:
HA.10.SGD-LB.1.16.Z



PN:2-2
Ordering Text:
HA.-K.10.SGD-LB.1.16.Z



PN:2-2 as shown



PN:1-2 as shown

QTY	DESCRIPTION	MATERIAL	SURFACE	COLOR	ITEM	REMARKS
2	Clip Bolt	Stainless Steel	-	Blank	8	-
1	Cover HA 10	Aluminium	Aluminium Oxide	Black	7	-
-	1 Cover HA 10	Aluminium	-	Grey	6	-
1	Profile Seal	Neoprene	-	Black	5	-
1	Clip	Stainless Steel	-	Blank	4	-
-	1 Clip	Steel	Zinc Plated	Blue	3	-
1	Surface Mounted Housing-Side Entry	Aluminium	Aluminium Oxide	Black	2	-
-	1 Surface Mounted Housing-Side Entry	Aluminium	-	Grey	1	-

THIS DRAWING IS A CONTROLLED DOCUMENT FOR AMP INCORPORATED. IT IS SUBJECT TO CHANGE AND THE CONTROLLING ENGINEERING ORGANIZATION SHOULD BE CONTACTED FOR THE LATEST REVISION. DIESSES ZEICHNUNGSDOKUMENT WIRD DURCH AMP INCORPORATED KONTROLLIERT. ÄNDERUNGEN, DIE DEM TECHNISCHEN FORTSCHRITT DIENEN, SIND VORBEHALTEN. DEN JEWELIGS LETZTGEWALTIGEN ÄNDERUNGSSTAND ERFAHREN SIE AUF ANFRAGE.		DWN	S.KUMAR	2/27/2006	Tyco / Electronics AMP GmbH D - 53819 Neunkirchen
DIMENSIONS: DIMENSIONEN: mm		CHK	R.SRINIVAS	2/27/2006	
TOLERANCES UNLESS OTHERWISE SPECIFIED: ALLGEMEINTOLERANZEN n. ISO 8015 - n. ISO 2768 - mH-E n. DIN 16901- 140 0 PLC # 1 PLC # 2 PLC # 3 PLC # ANGLES / WINKEL #		APVD	T.SCHNURPFEIL	2/27/2006	NAME
		PRODUCT SPEC. / PRODUKTSPEZ.	SURFACE MOUNTED HOUSING-SIDE ENTRY HA.10.SGD-LB.1.16.Z		
MATERIAL		APPLICATION SPEC. / VERARBEITUNGSSPEZ.	SIZE	CAGE CODE	DRAWING NO. ZEICHNUNGS-NR.
FINISH / OBERFLAECHE / FARBE		WEIGHT GEWICHT	A3	00779	1102128
		CUSTOMER DRAWING / KUNDENZEICHNUNG		SCALE MASSSTAB	RESTRICTED TO NUR FUER
				1:1	
				SHEET BLATT	REV.
				1	B1
				OF VON	
				1	

H:\HTS\EGGMA05416\HA_10\A1\U1\HA_10_A1\U1\HA_10_A1_1102128.DWG